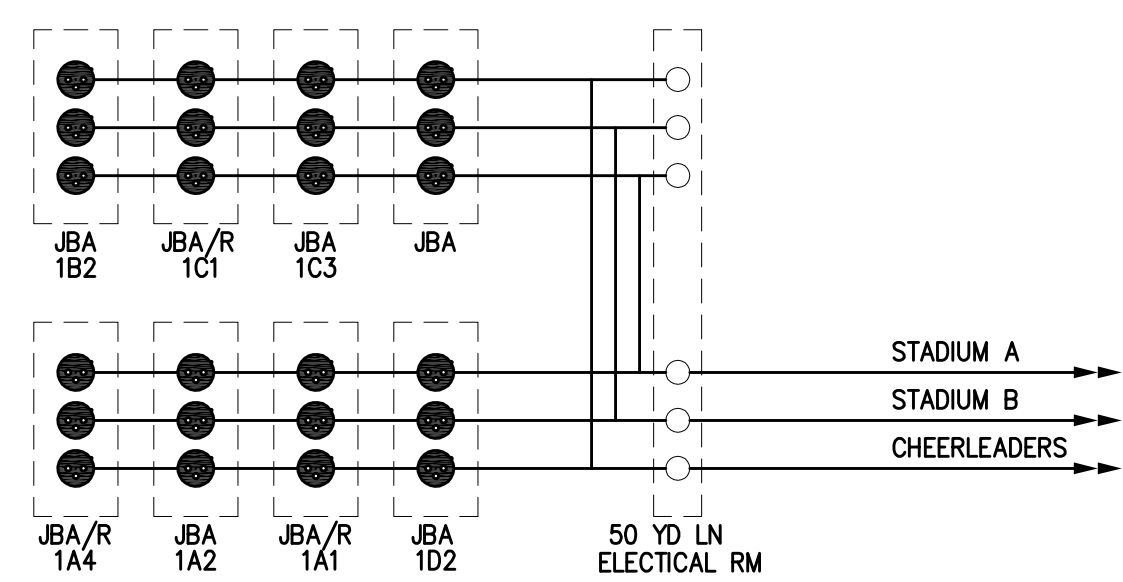


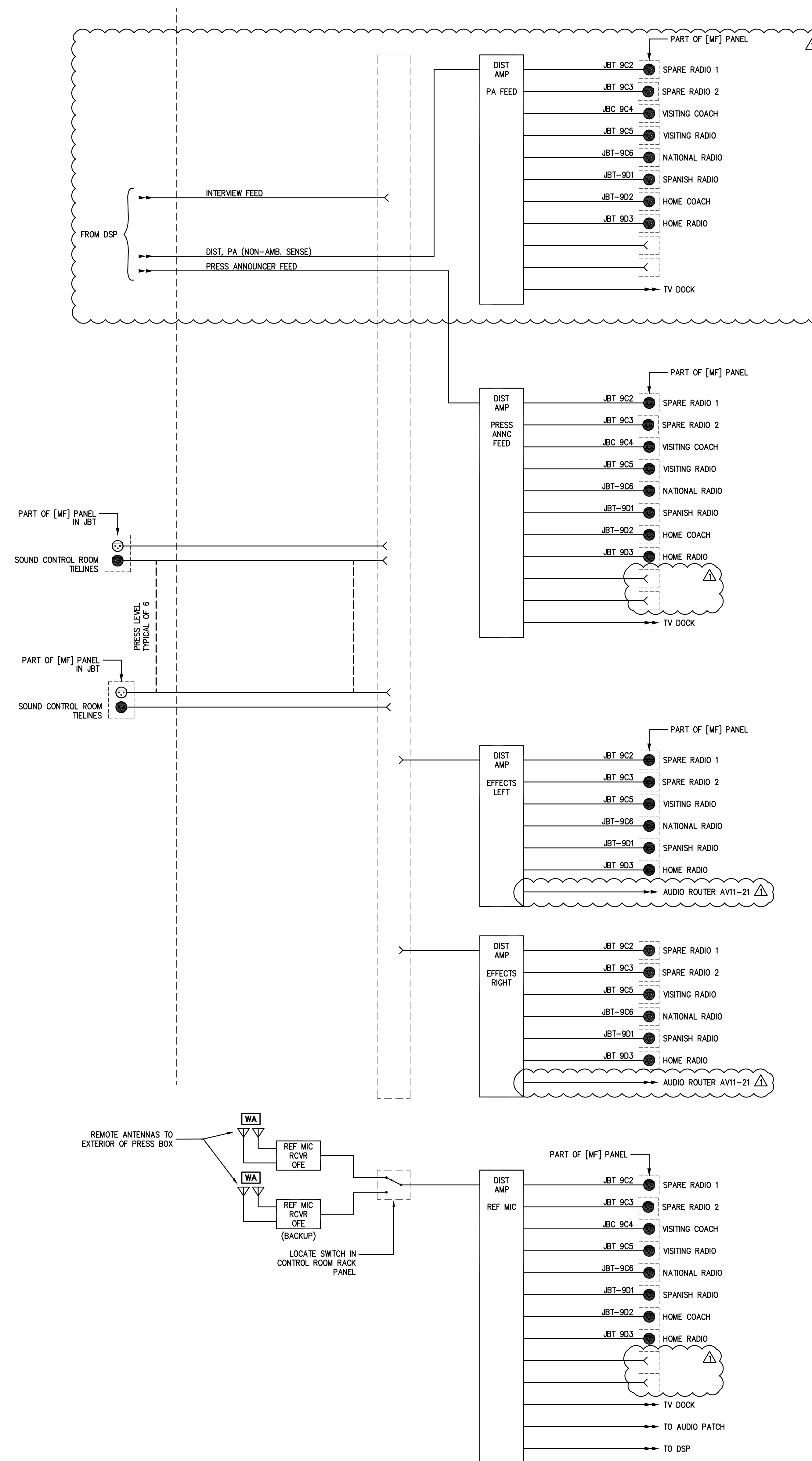
2 FIELD MONITOR WIRING

- NOTES:
 1. PROVIDE 4 SPEAKER PATCH CABLES.
 2. AMPLIFIER LOCATED IN 50 YARD LINE FIELD ELECTRICAL ROOM.



1 FIELD INTERCOM WIRING

- NOTES:
 1. INTERCOM WIRING TERMINATES IN SCOREBOARD CONTROL. COORDINATE CABLE TERMINATION WITH VIDEO REPLAY CONTRACTOR.



POPULOUS™

POPULOUS, INC.
 Architecture, Engineering, Planning,
 Interiors, Facility Programming
 300 Wyandotte, Suite 200
 Kansas City, Missouri 64105
 816-221-1500

STRUCTURAL ENGINEERS
 Weller P. Moore
 816-701-2100

MECHANICAL ELECTRICAL ENGINEERS
 ME Engineers
 816-474-1056

AUDIO VISUAL/ACOUSTICAL CONSULTANTS
 K&H
 972-634-3700

FOOD SERVICE CONSULTANTS
 S20 Consultants
 224-717-1555

CIVIL ENGINEERS
 Talliferro & Browne, Inc.
 816-283-3456

CODE CONSULTANTS
 FSC, Inc.
 913-722-3473

ASSOCIATE ARCHITECT
 Junk Architects
 816-472-7722

LANDSCAPE ARCHITECT
 Young + Dring Landscape Architecture
 913-842-9664

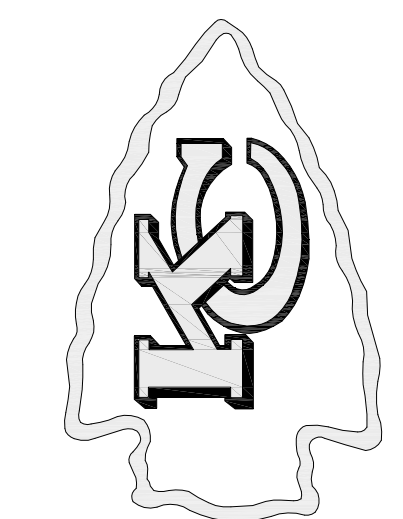
M/E/P/ FOODSERVICE ENGINEERS
 BGS Consulting Engineers
 816-842-2800

FIRE PROTECTION ENGINEERS
 CMS Fire Protection Engineering, Inc.
 913-239-9900

WAVENING/SIGNAGE
 Ghostfire Design, Inc.
 816-842-4468

THE NEW ARROWHEAD STADIUM

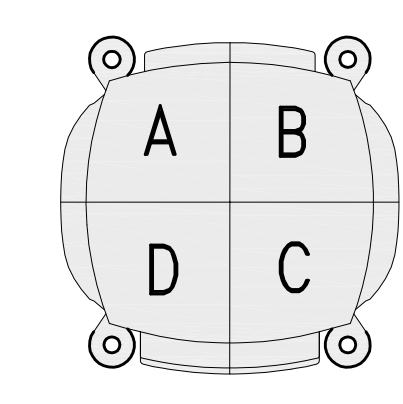
KANSAS CITY, MISSOURI



CONSTRUCTION DOCUMENTS PACKAGE

PACKAGE

1 06/05/09 IVD. REP. PACK



PROJECT NO.:

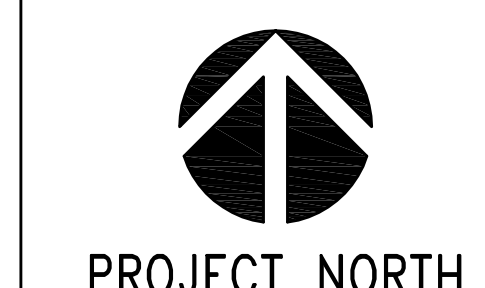
DRAWN BY: REVIEWED BY:

ISSUE DATE

08/01/2008

CONTROL ROOM AUDIO FUNCTIONAL DIAGRAMS

AV6-20-2



PROJECT NORTH