

Revisions	Service	Level	Designator	Location	SMPT/E Alternate #49	Trax	Video	Strain, Single Mode Fiber (Deduct Alternate)
	JBA/R	1	A1	Left End Zone	1	1		
	JBA/R	1	A3	Far Left 20 Yd Line	1	1		
	JBA/R	1	A4	Far 50 Yd Line	1	1		
	JBA/R	1	B1	Far Right 50 Yd Line	1	1		
	JBA/R	1	C1	Right End Zone	1	1		
	JBA/R	1	C5	Near Right 20 Yd Line	1	1		
	JBA/R	1	D1	Near Left 20 Yd Line	1	1		
	JBE/T	4	C1	Club	1	1		
				Network Truck Parking				36

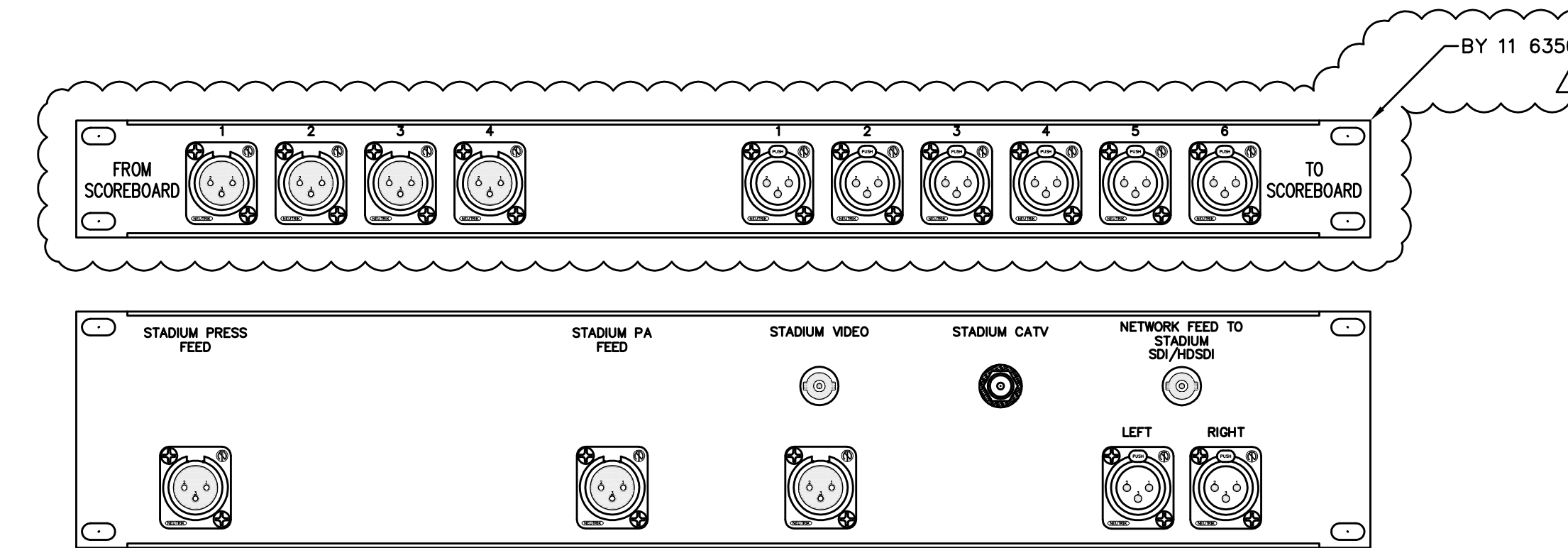
9 VIDEO CABLING SCHEDULE

Revisions	Service	Level	Designator	Location	Description	Home Radio		Visitor Radio		National Radio		Spanish Radio		Spare Radio 1		Spare Radop 2	
						Audio 2 pr	UTP	Audio 2 pr	UTP	Audio 2 pr	UTP	Audio 2 pr	UTP	Audio 2 pr	UTP	Audio 2 pr	UTP
	Radio	JBE		Home Locker Room		1	1	1	1	1	1						
	Radio	JBE		Waiting Locker Room		1	1	1	1	1	1						
	Radio	JBE		North Sideline		1	1	1	1	1	1						
	Radio	JBT		South Sideline		1	1	1	1	1	1						
	Radio	JBE/T		Press Conference Room	Theater	1	1	1	1	1	1						
	Radio	JBE/T		Press Conference Room	Lunch room	1	1	1	1	1	1						
BP 7	Radio	JBT		Home Radio										1		1	
BP 7	Radio	JBT		Visiting Radio										1		1	
BP 7	Radio	JBT		National Radio										1		1	
	Radio	JBT		Spanish Radio										1		1	
	Radio	JBT		Spare Radio 1												1	
	Radio	JBT		Spare Radio 2													1
				ENG Racks													
				Network Racks		1		1		1		1		1		1	

8 RADIO CABLING SCHEDULE

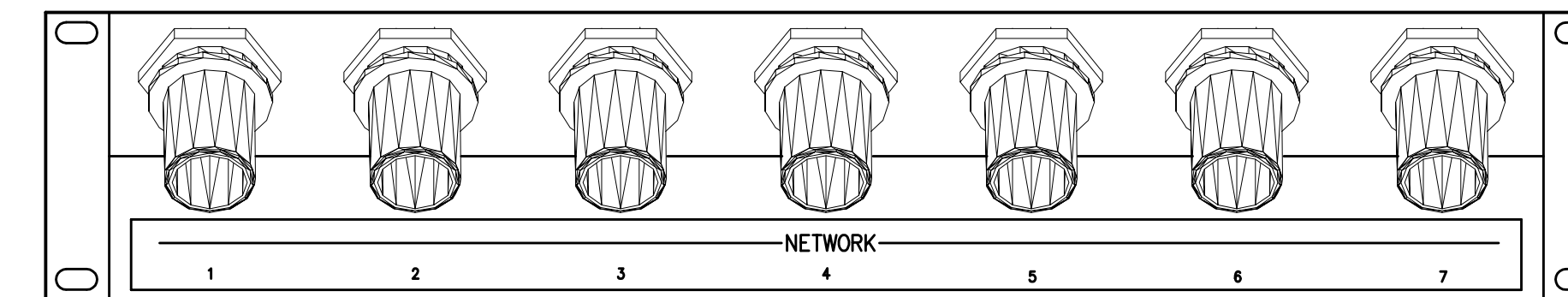
Revisions	Service	Level	Designator	Location	Description	Chiefs House						Notes
						Video	Audio	UTP	Single Mode Fiber (6 Strands)	Other	Other	
	ENG	JBE		Home Locker Rm	4	2	2	0				
	ENG	JBE		Visitor Locker Rm	4	2	2	0				
	ENG	JBE		North Sideline	4	2	2	0				
	ENG	JBE		South Sideline	4	2	2	0				
	ENG	JBE/T		Press Conference Room	4	2	2	0				
	ENG	JBE/T		Press Conference Room	4	2	2	0				
	ENG	JBE		ENG Pedestal	4	2	2	0				
				Video Replay								

7 ENG CABLING SCHEDULE



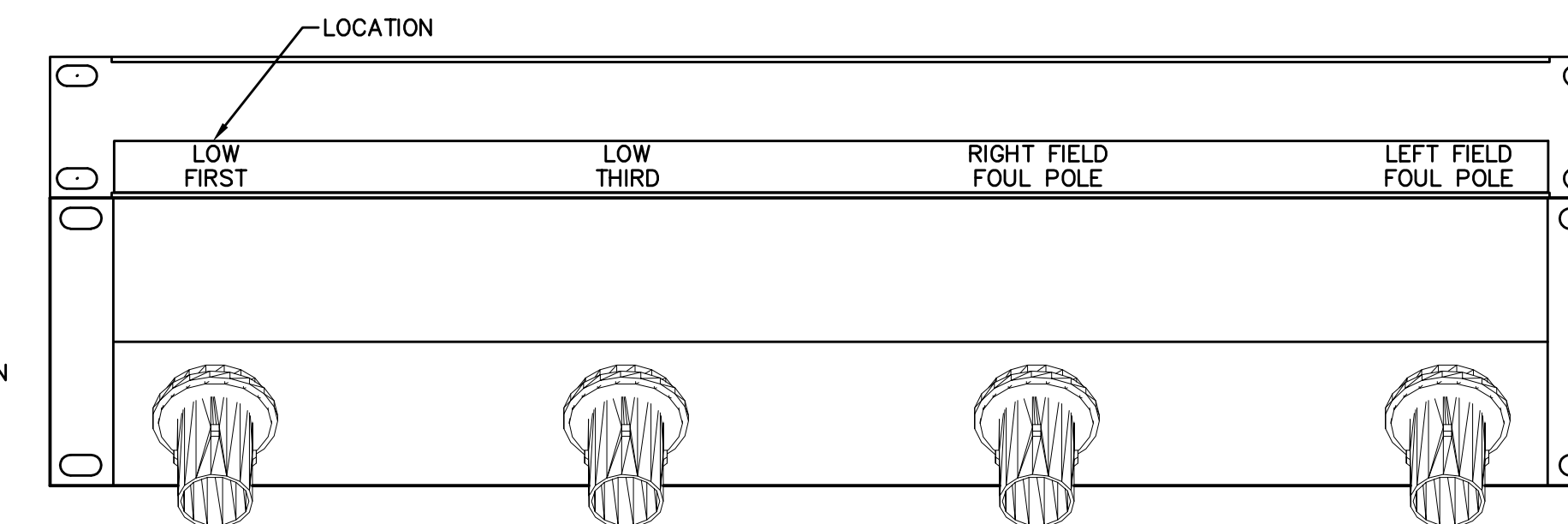
6 STADIUM SERVICE PANEL

SCALE: 1/2"=1'
 NOTES:
 COORDINATE PANEL TYPE AND SIZE WITH FIELD CONDITIONS.



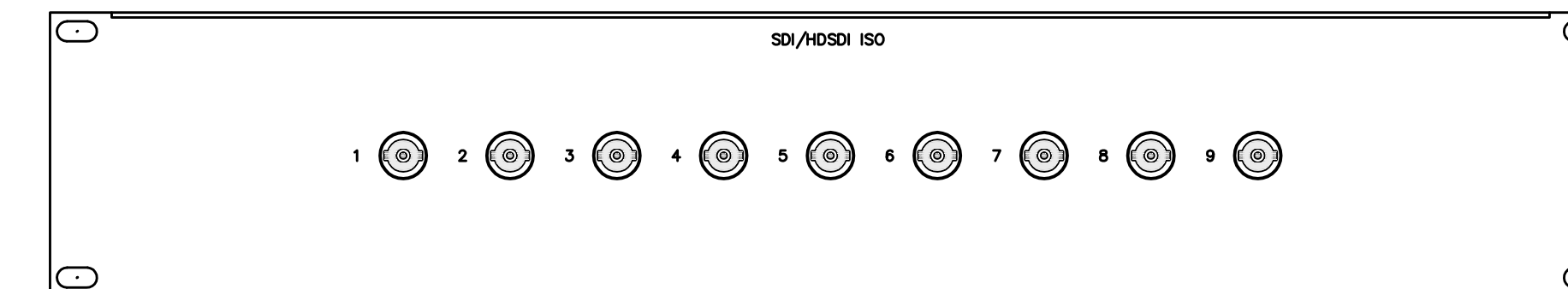
5 REPLAY FIELD TRIAX PANEL

SCALE: 1/2"=1'-0"
 NOTES:
 1. PROVIDE QUANTITY AND CONNECTOR POPULATION AS SHOWN ON CABLE SCHEDULE. PROVIDE BLANK INSERTS FOR NON POPULATED CONNECTION MOUNTING HOLES.



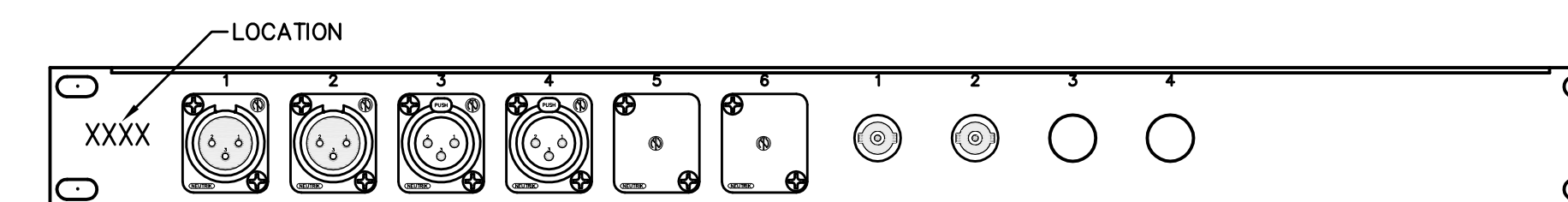
4 REPLAY RACK TRIAX PANEL

SCALE: 1/2"=1'-0"
 NOTES:
 PROVIDE QUANTITY AND CONNECTOR POPULATION AS SHOWN ON CABLE SCHEDULE AND INTERCONNECT TOPOLOGY. PROVIDE BLANK INSERTS FOR NON POPULATED CONNECTION MOUNTING HOLES.



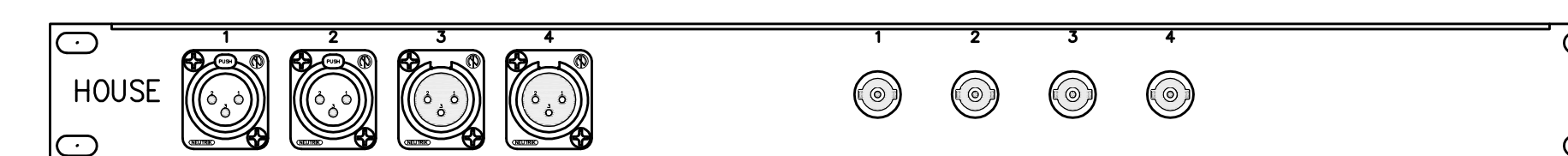
3 HDSOI ISO DISTRIBUTION PANEL

SCALE: 1/2"=1'
 NOTES:
 1. REFER TO AV8-00 DETAIL 4. PROVIDE BLANK INSERTS FOR NON-POPULATED CONNECTION MOUNTING HOLES.



2 ENG INTERCONNECT PANEL

SCALE: 1/2"=1'
 NOTES:
 1. PROVIDE QUANTITY AND CONNECTOR POPULATION AS SHOWN ON CABLE SCHEDULE. PROVIDE BLANK INSERTS FOR NON POPULATED CONNECTION MOUNTING HOLES.



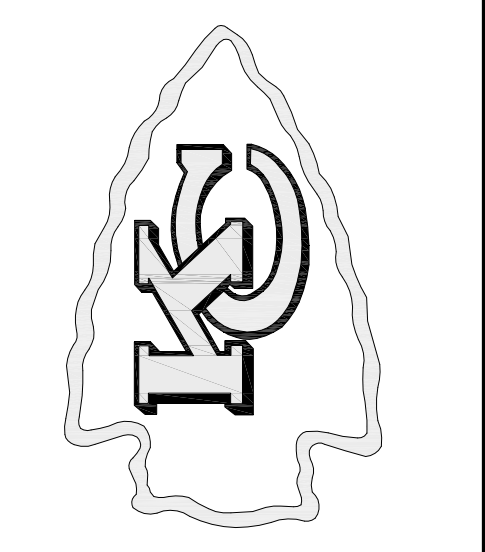
1 ENG FIELD PANEL

SCALE: 1/2"=1'
 NOTES:
 1. PANELS FOR TWO LOCAL TV STATIONS ARE SHOWN.
 2. CABLING FROM EACH TV STATION'S ENG PANEL TERMINATES AT THE TV STATION'S DESIGNATED ENG RACK.
 3. PROVIDE QUANTITY AND CONNECTOR POPULATION AS SHOWN ON CABLE SCHEDULE. PROVIDE BLANK INSERTS FOR NON POPULATED CONNECTION MOUNTING HOLES.
 4. SERVE CATV FROM ONE PORT OF SPLITTER.
 5. FIBER ENCLOSURE IS TO PROVIDE CABLE STRAIN RELIEF, CABLE MANAGEMENT AND FUSION SPLICING CAPABILITIES.

POPULOUS™

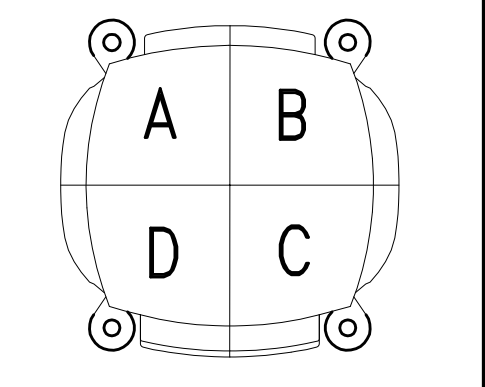
DRAWING PEOPLE TOGETHER™
 POPULOUS, INC.
 Architecture, Engineering, Planning,
 Interiors, Facility Programming
 300 Wyandotte, Suite 200
 Kansas City, Missouri 64105
 816-221-1500
 STRUCTURAL ENGINEERS
 Weller P. Moore
 816-701-2100
 MECHANICAL ELECTRICAL ENGINEERS
 ME Engineers
 816-474-1056
 AUDIO VISUAL/ACOUSTICAL CONSULTANTS
 W&W
 972-634-3700
 FOOD SERVICE CONSULTANTS
 S20 Consultants
 224-717-1555
 CIVIL ENGINEERS
 Talliferro & Browne, Inc.
 816-283-3456
 CODE CONSULTANTS
 FSC, Inc.
 913-722-3473
 ASSOCIATE ARCHITECT
 Junk Architects
 816-472-7722
 LANDSCAPE ARCHITECT
 Young + Dring Landscape Architecture
 913-842-8664
 M/E/P/ FOODSERVICE ENGINEERS
 BGS Consulting Engineers
 816-842-2800
 FIRE PROTECTION ENGINEERS
 CMS Fire Protection Engineering, Inc.
 913-239-8900
 WAREHOUSING/STORAGE
 Ghostfire Design, Inc.
 816-842-4468

THE NEW ARROWHEAD STADIUM



CONSTRUCTION DOCUMENTS PACKAGE

PACKAGE	DATE	REV.	DESCRIPTION
1	6/5/09	VID. REP. PACK	



PROJECT NO.:	
DRAWN BY:	REVIEWED BY:
ISSUE DATE:	08/01/2008

BROADCAST DETAILS

AV10-01